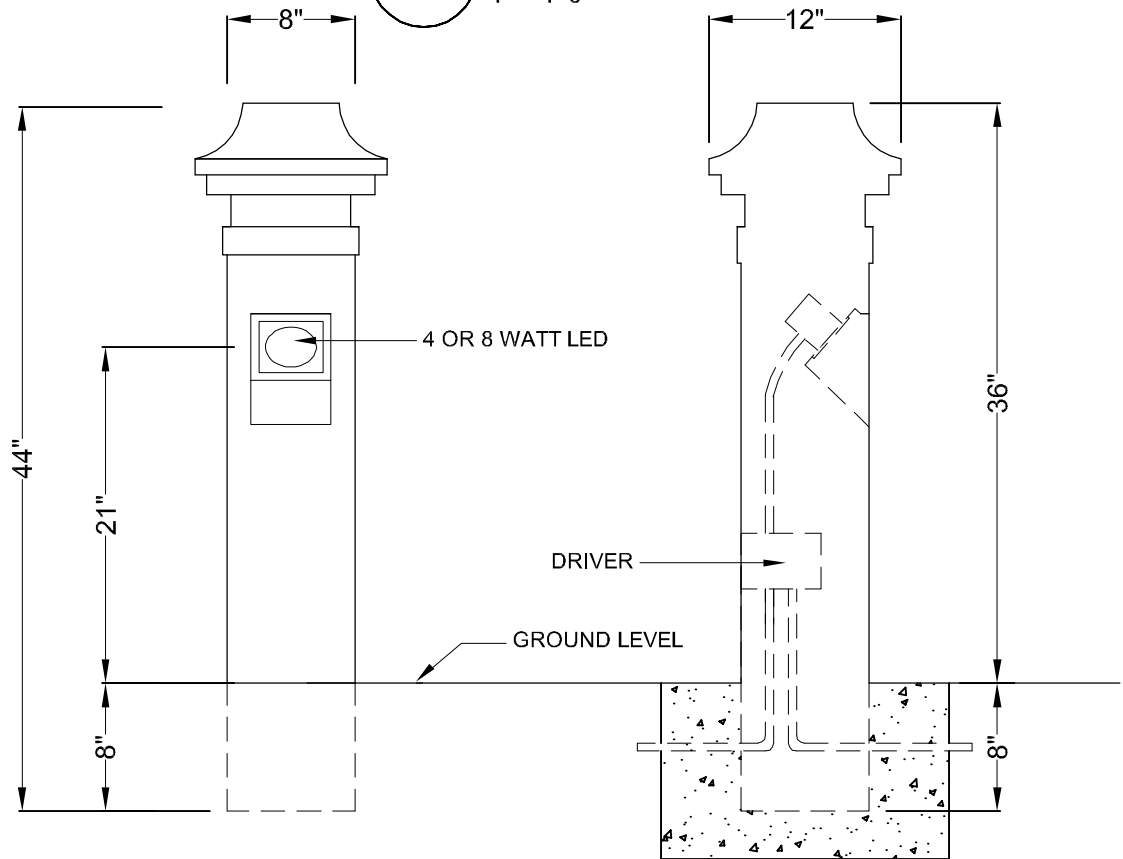


**3** CAP PLAN  
1" = 1'-0"



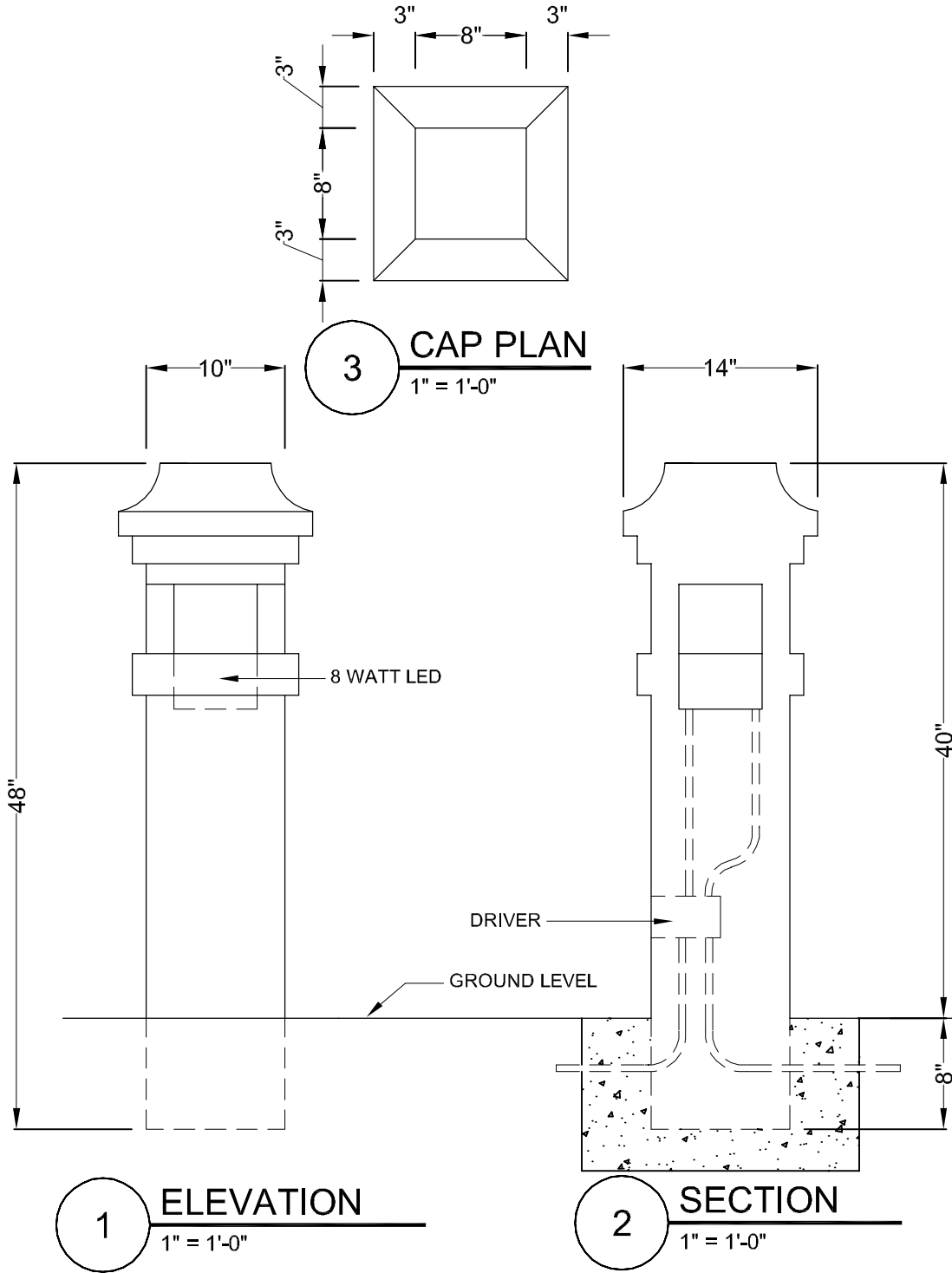
**1** ELEVATION  
1" = 1'-0"

**2** SECTION  
1" = 1'-0"

**"ASIAN" BOLLARD**



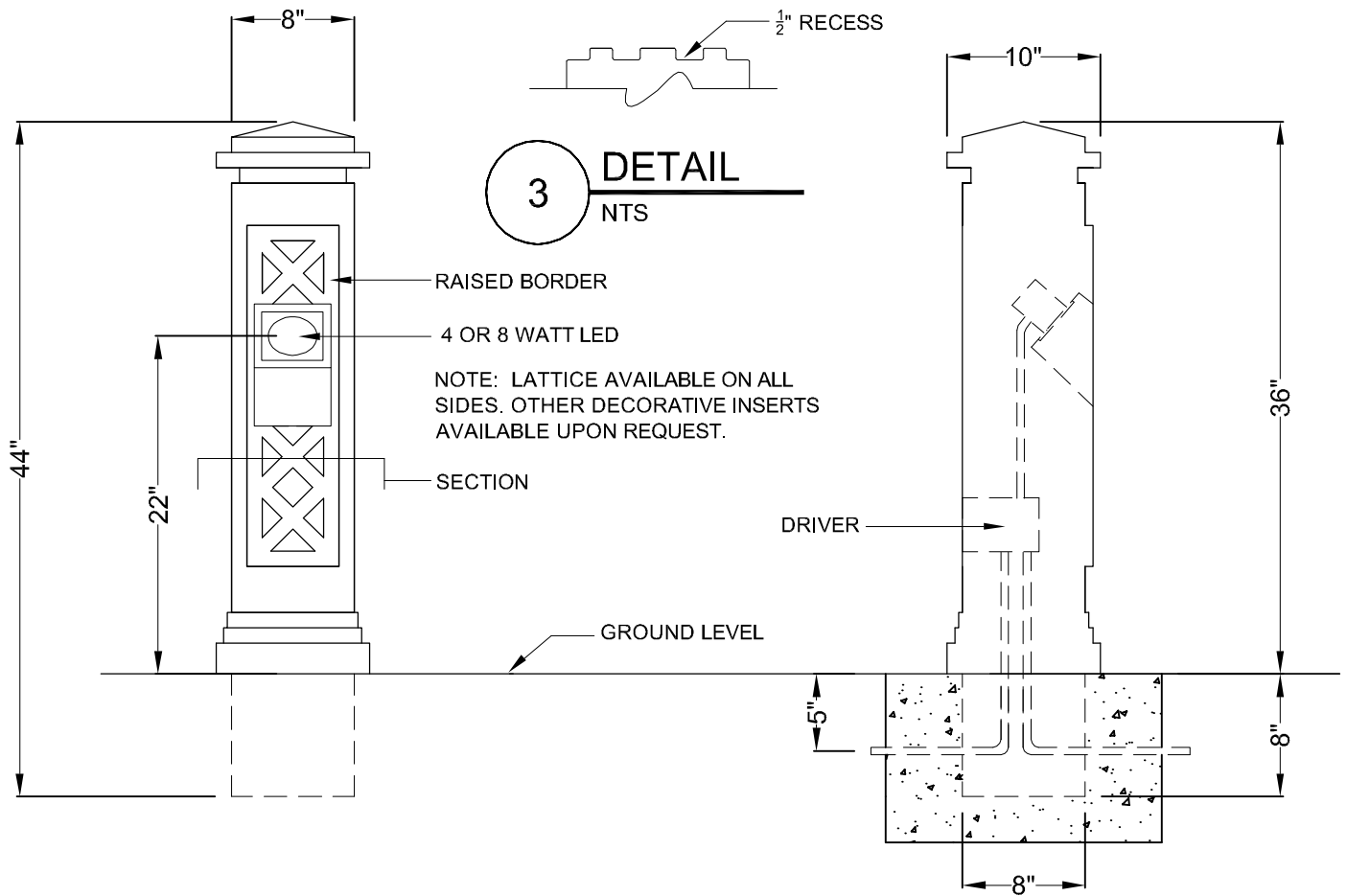
P.O. Box 413005 Naples, FL 34101 5805 Glencove Drive # 705  
 Naples, FL 34108  
 Tel 239.514.3272 Fax 239.594.7778  
[www.Stonelight.com](http://www.Stonelight.com) [sales@stonelight.com](mailto:sales@stonelight.com)



# OPEN "ASIAN" BOLLARD



P.O. Box 413005 Naples, FL 34101 5805 Glencove Drive # 705  
 Naples, FL 34108  
 Tel 239.514.3272 Fax 239.594.7778  
[www.Stonelight.com](http://www.Stonelight.com) [sales@stonelight.com](mailto:sales@stonelight.com)



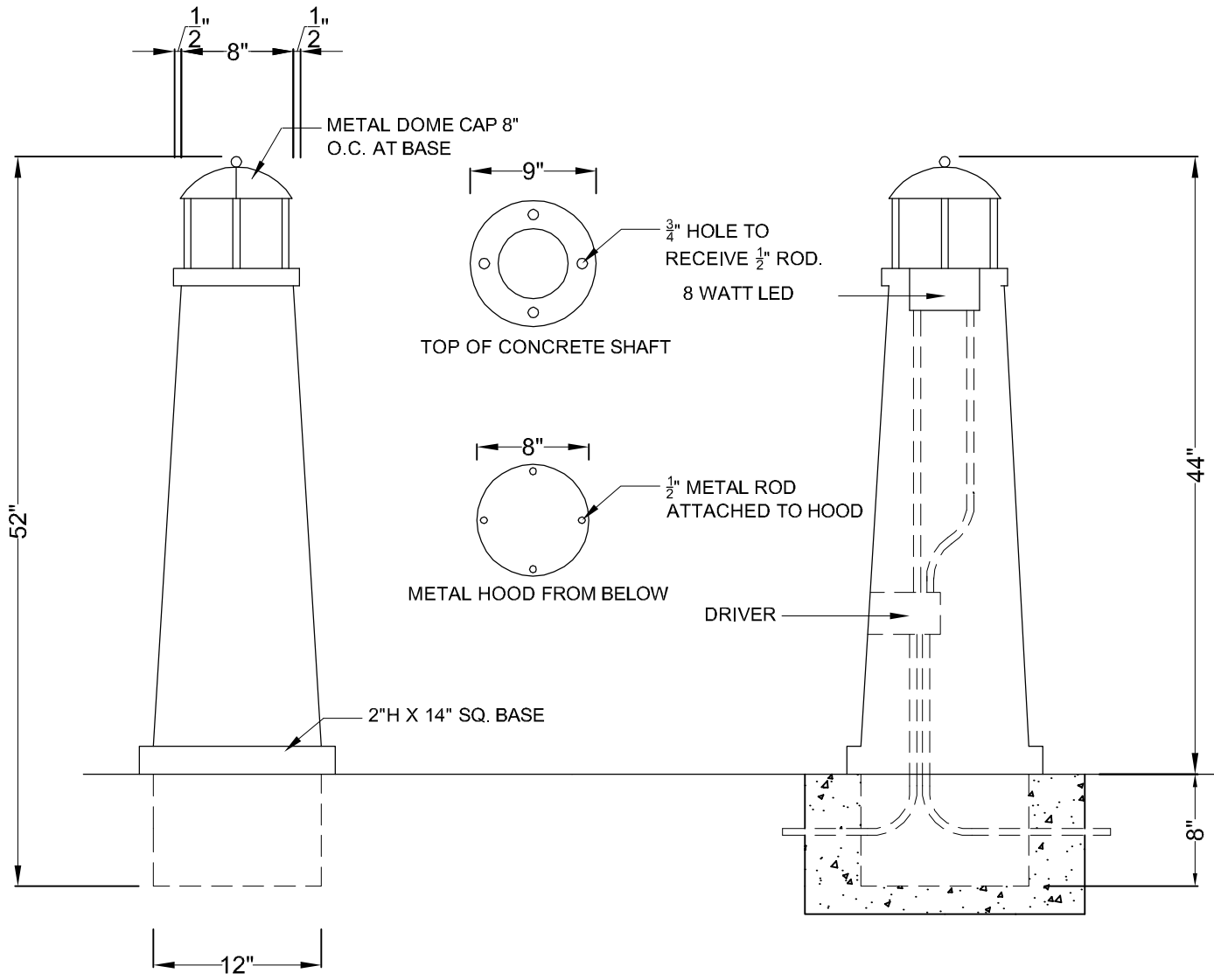
**1** ELEVATION  
1" = 1'-0"

**2** SECTION  
1" = 1'-0"

# "LATTICE" BOLLARD



P.O. Box 413005 Naples, FL 34101 5805 Glencove Drive # 705  
 Naples, FL 34108  
 Tel 239.514.3272 Fax 239.594.7778  
[www.Stonelight.com](http://www.Stonelight.com) [sales@stonelight.com](mailto:sales@stonelight.com)



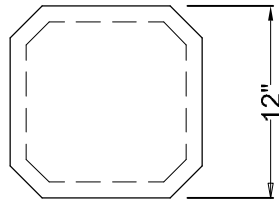
1 ELEVATION  
1" = 1'-0"

2 SECTION  
1" = 1'-0"

**"LIGHT HOUSE"  
BOLLARD**

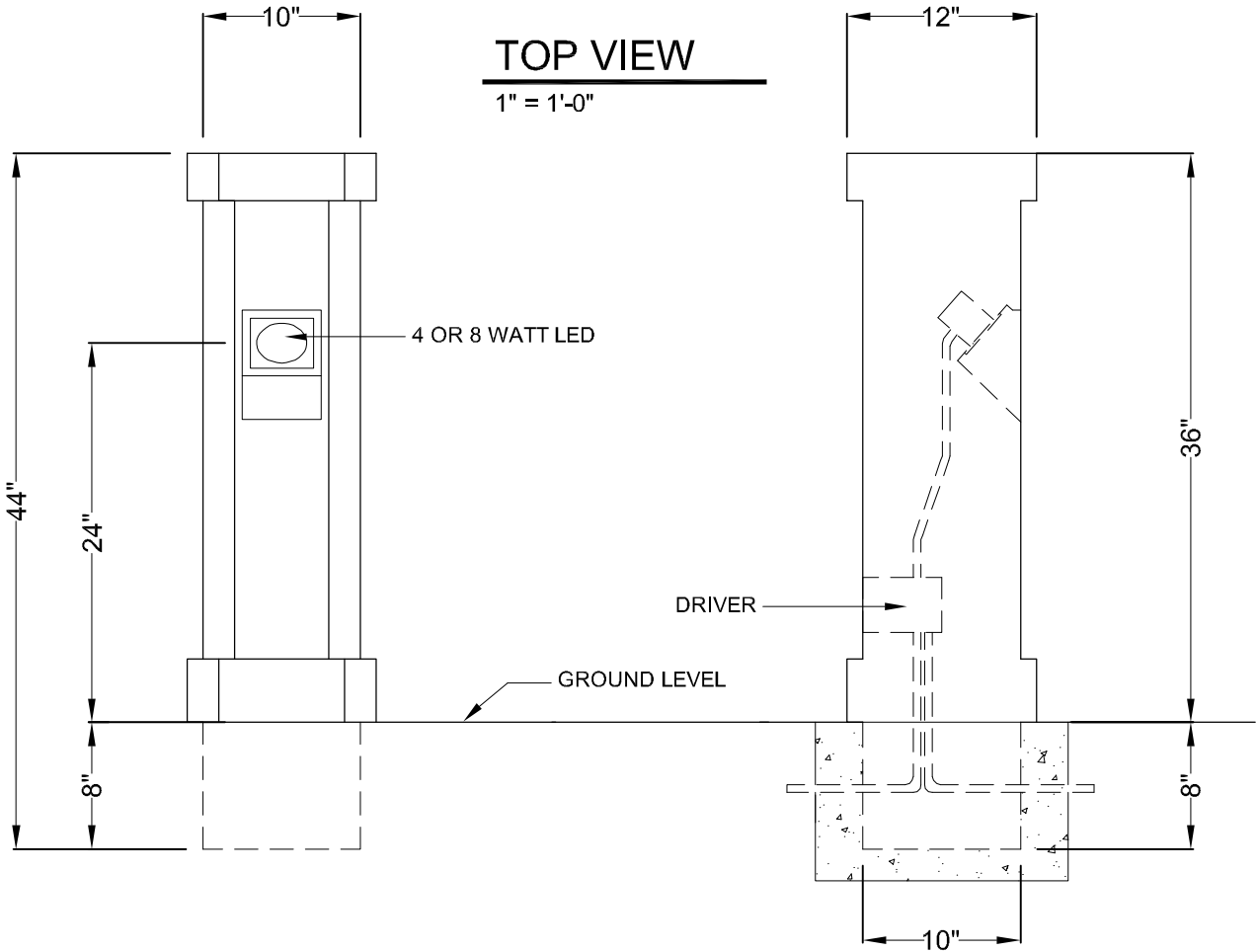


P.O. Box 413005 Naples, FL 34101 5805 Glencove Drive # 705  
Naples, FL 34108  
Tel 239.514.3272 Fax 239.594.7778  
[www.Stonelight.com](http://www.Stonelight.com) [sales@stonelight.com](mailto:sales@stonelight.com)



**TOP VIEW**

1" = 1'-0"



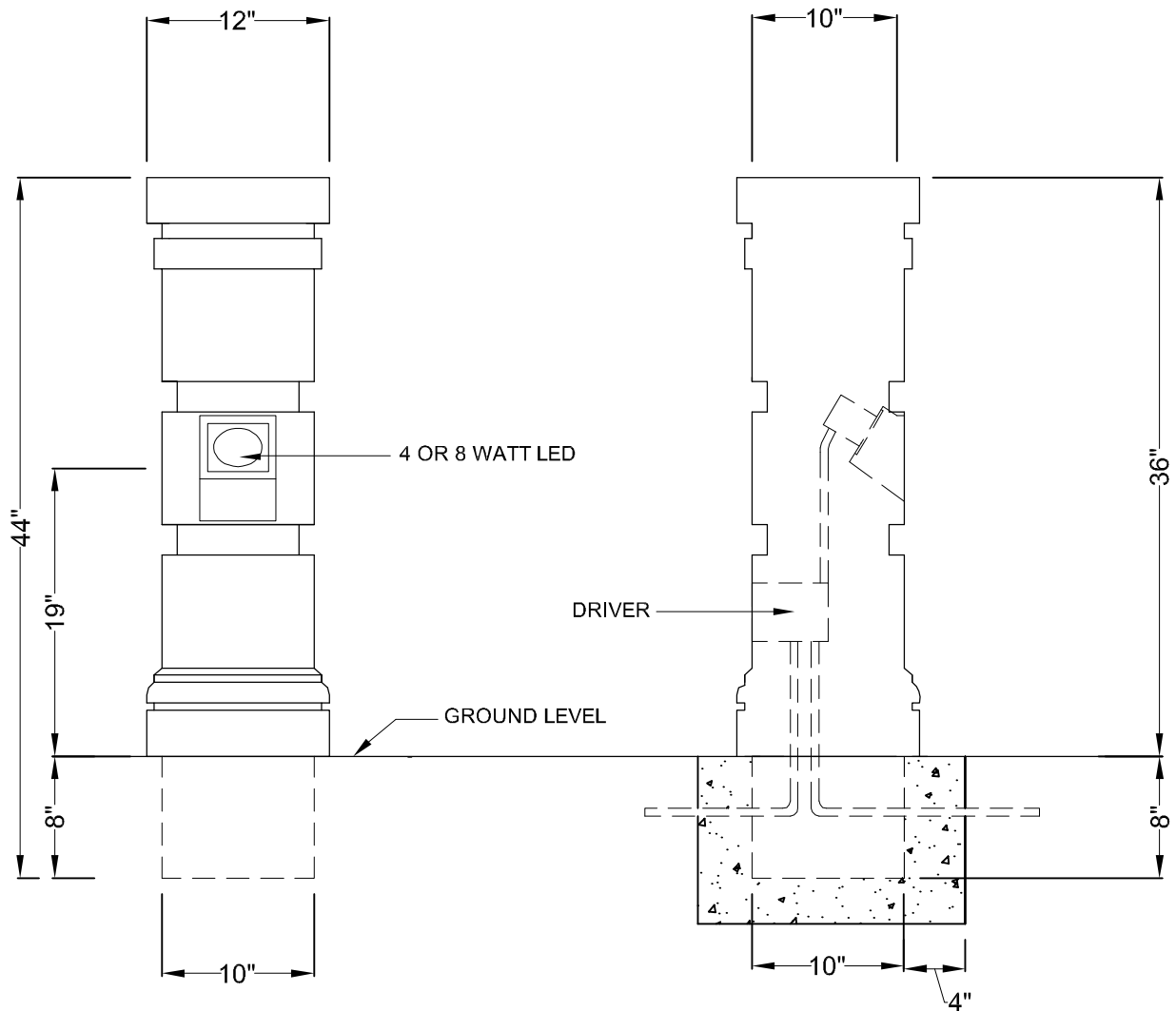
1 **FRONT ELEVATION**  
1" = 1'-0"

2 **SECTION**  
1" = 1'-0"

**"MALAGA"  
BOLLARD**



P.O. Box 413005 Naples, FL 34101 5805 Glencove Drive # 705  
Naples, FL 34108  
Tel 239.514.3272 Fax 239.594.7778  
[www.Stonelight.com](http://www.Stonelight.com) [sales@stonelight.com](mailto:sales@stonelight.com)



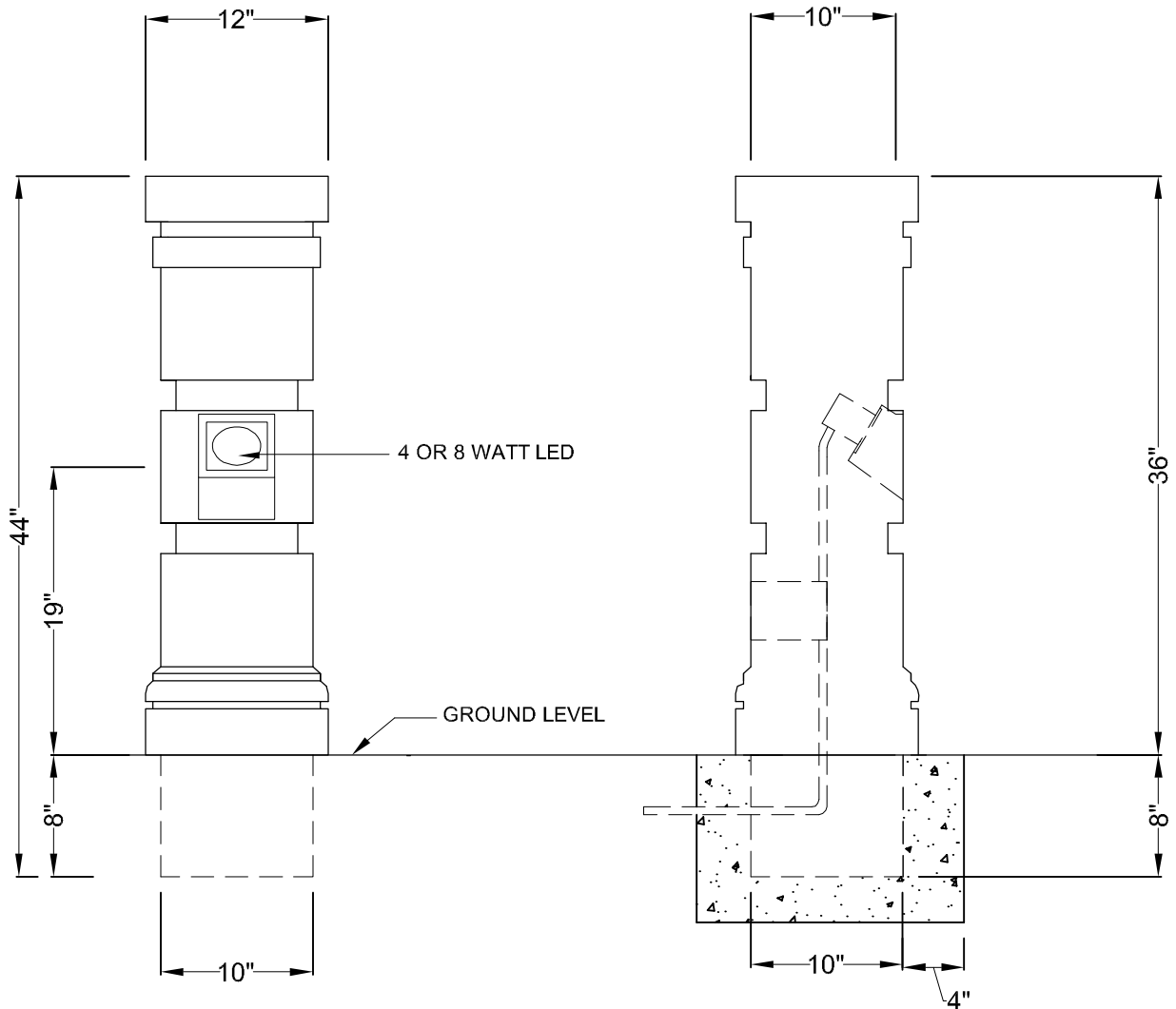
1 ELEVATION  
1" = 1'-0"

2 SECTION  
1" = 1'-0"

**10"**  
**"MAYAN"**  
**BOLLARD**



P.O. Box 413005 Naples, FL 34101 5805 Glencove Drive # 705  
Naples, FL 34108  
Tel 239.514.3272 Fax 239.594.7778  
[www.Stonelight.com](http://www.Stonelight.com) [sales@stonelight.com](mailto:sales@stonelight.com)



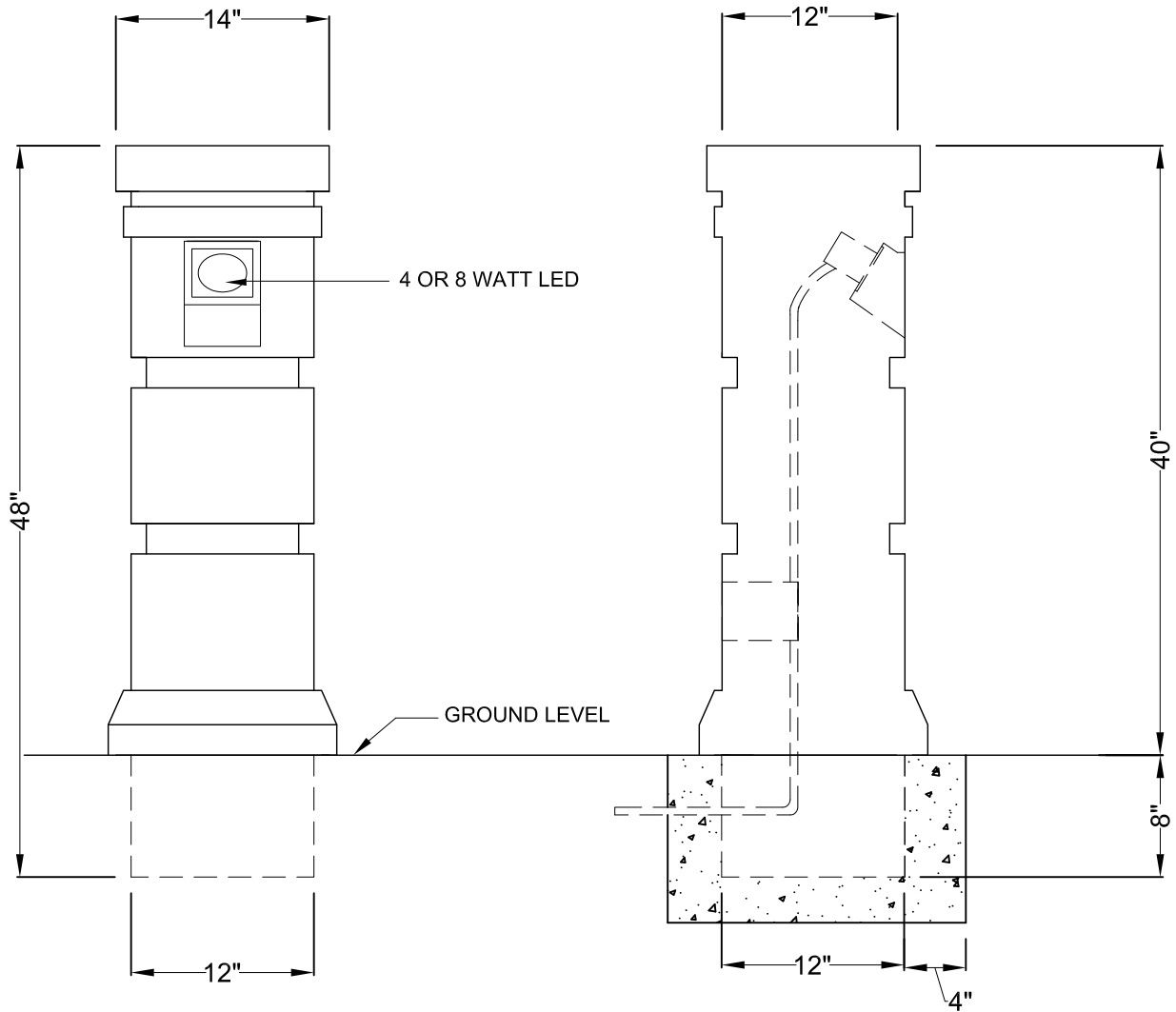
1 ELEVATION  
1" = 1'-0"

2 SECTION  
1" = 1'-0"

**10"**  
**"MAYAN"**  
**BOLLARD**



P.O. Box 413005 Naples, FL 34101 5805 Glencove Drive # 705  
Naples, FL 34108  
Tel 239.514.3272 Fax 239.594.7778  
[www.Stonelight.com](http://www.Stonelight.com) [sales@stonelight.com](mailto:sales@stonelight.com)



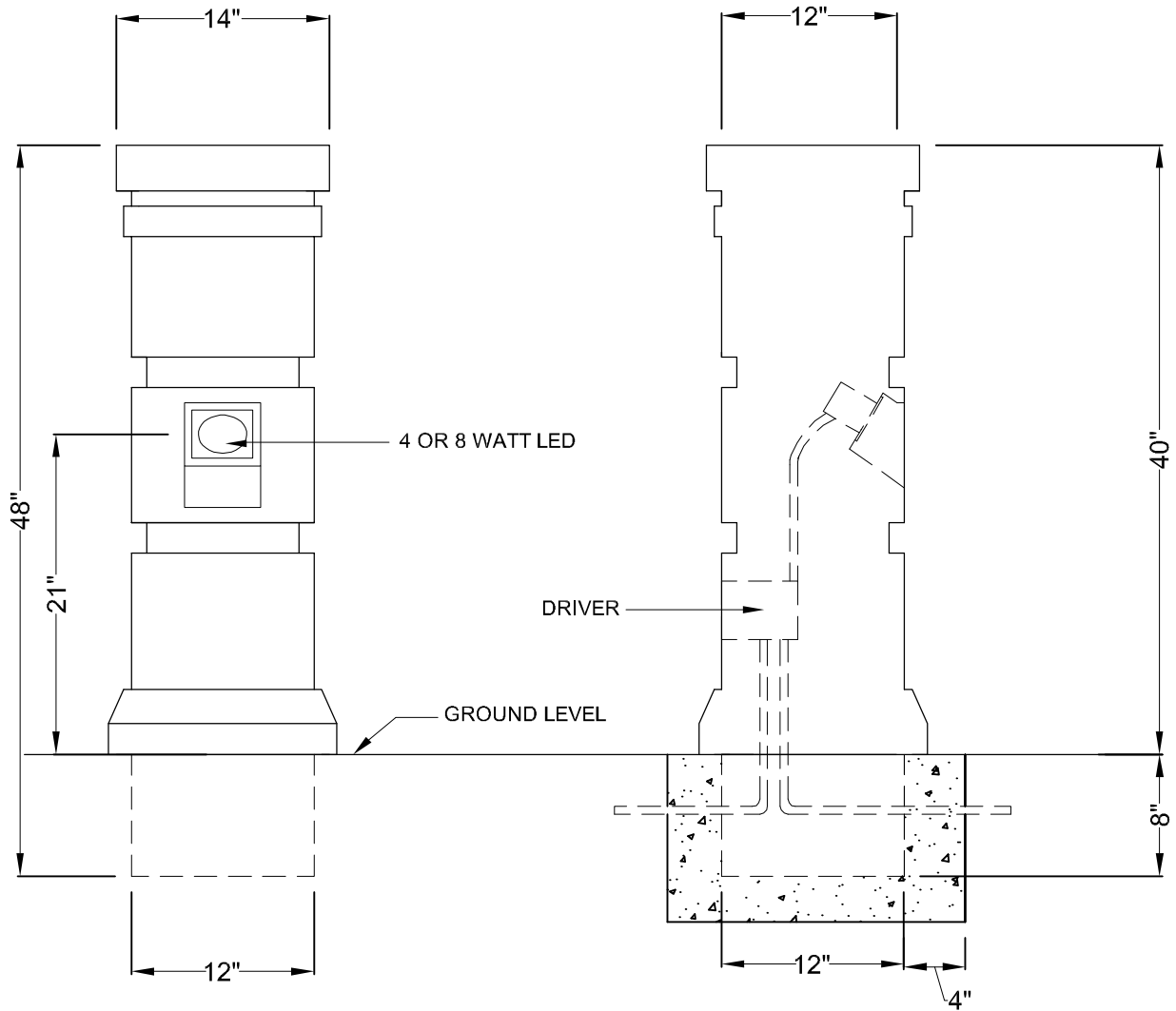
1 ELEVATION  
1" = 1'-0"

2 SECTION  
1" = 1'-0"

**12"**  
**"MAYAN"**  
**BOLLARD**



P.O. Box 413005 Naples, FL 34101 5805 Glencove Drive # 705  
 Naples, FL 34108  
 Tel 239.514.3272 Fax 239.594.7778  
[www.Stonelight.com](http://www.Stonelight.com) [sales@stonelight.com](mailto:sales@stonelight.com)



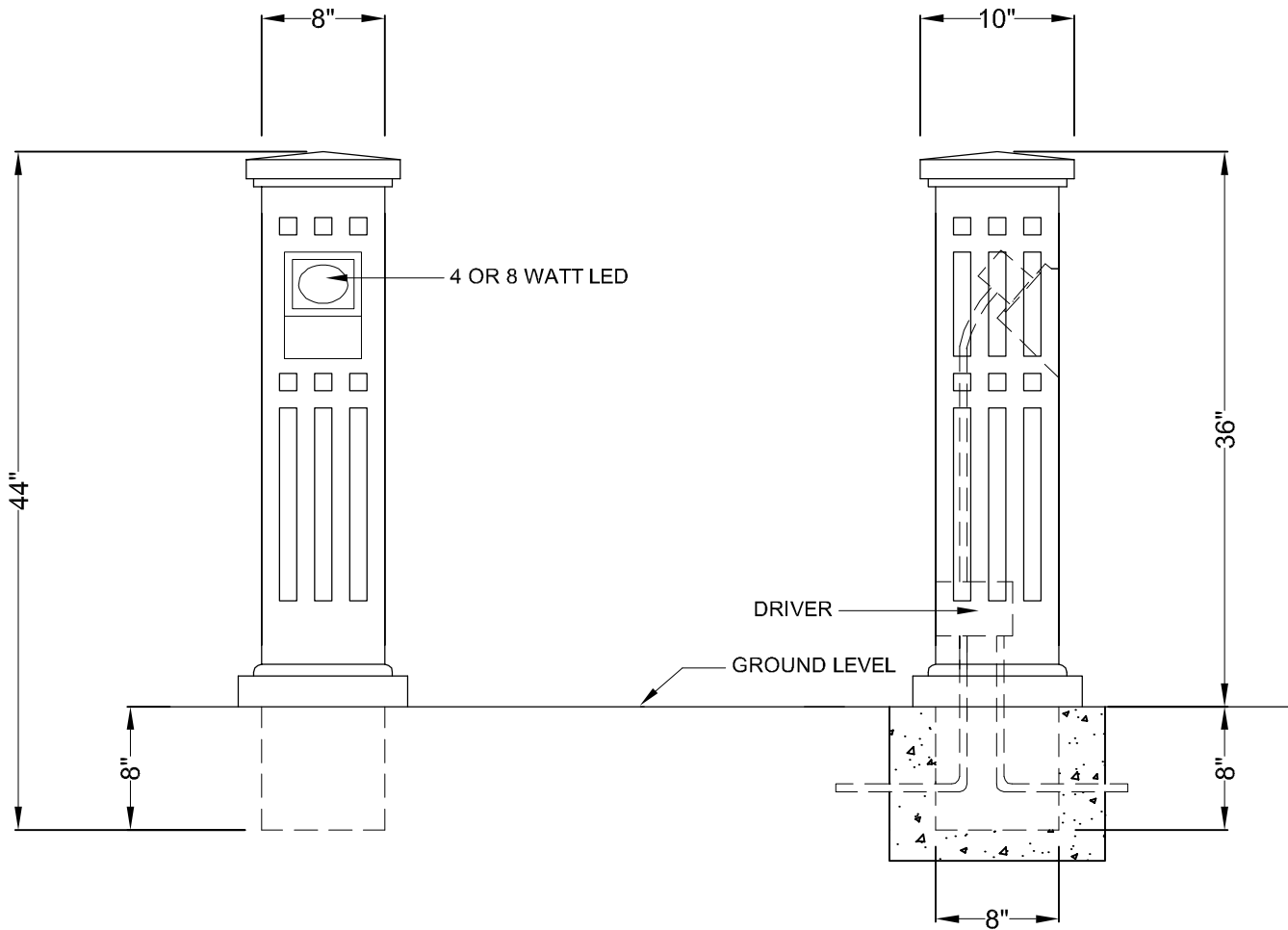
1 ELEVATION  
1" = 1'-0"

2 SECTION  
1" = 1'-0"

**12"**  
**"MAYAN"**  
**BOLLARD**



P.O. Box 413005 Naples, FL 34101 5805 Glencove Drive # 705  
Naples, FL 34108  
Tel 239.514.3272 Fax 239.594.7778  
[www.Stonelight.com](http://www.Stonelight.com) [sales@stonelight.com](mailto:sales@stonelight.com)



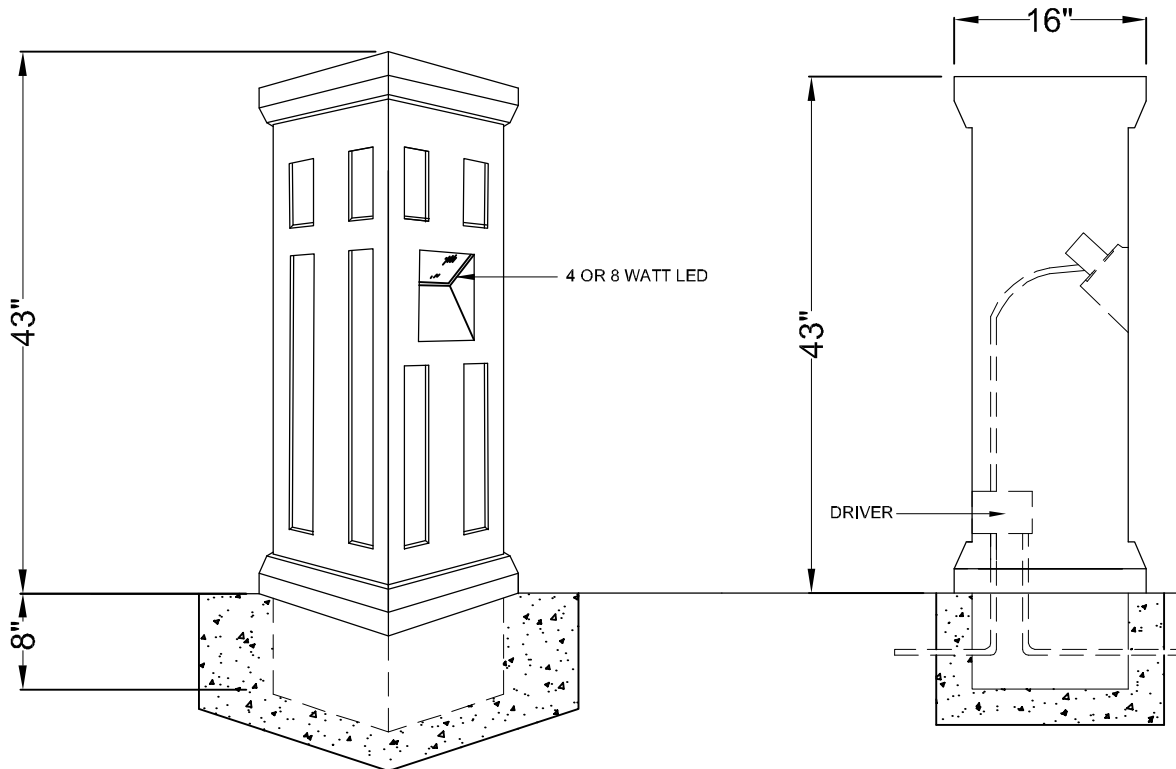
1 FRONT ELEVATION  
1" = 1'-0"

2 BACK AND SIDE ELEV.  
1" = 1'-0"

**"OAK PARK"  
BOLLARD**



P.O. Box 413005 Naples, FL 34101 5805 Glencove Drive # 705  
Naples, FL 34108  
Tel 239.514.3272 Fax 239.594.7778  
[www.Stonelight.com](http://www.Stonelight.com) [sales@stonelight.com](mailto:sales@stonelight.com)



1 **PERSPECTIVE**  
3/4" = 1'-0"

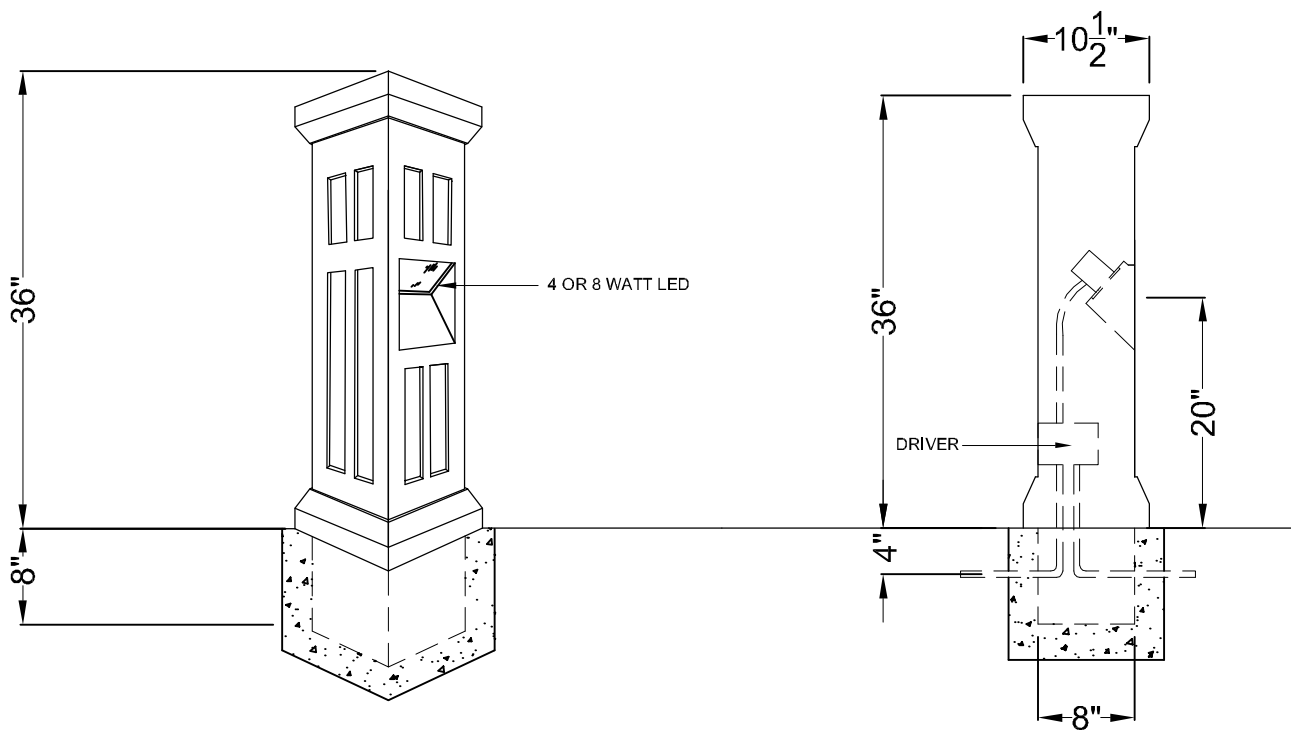
2 **SECTION**  
3/4" = 1'-0"

ALSO AVAILABLE 8" SQ. SEE REFERENCE GUIDE FOR LAMP OPTIONS.

**13"**  
**"PRAIRIE"**  
**BOLLARD**



P.O. Box 413005 Naples, FL 34101 5805 Glencove Drive # 705  
Naples, FL 34108  
Tel 239.514.3272 Fax 239.594.7778  
[www.Stonelight.com](http://www.Stonelight.com) [sales@stonelight.com](mailto:sales@stonelight.com)



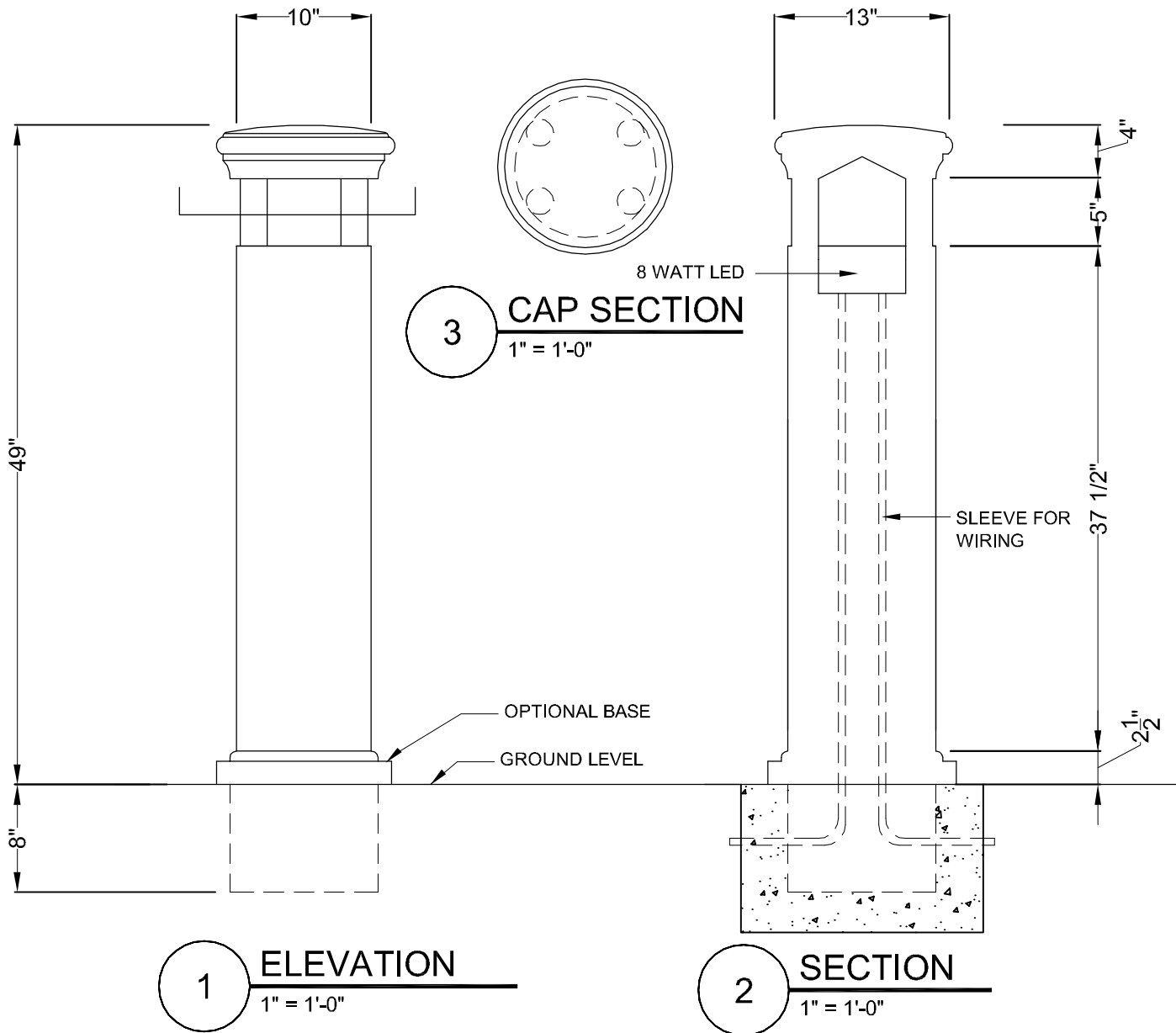
1 **PERSPECTIVE**  
3/4" = 1'-0"

2 **SECTION**  
3/4" = 1'-0"

**8" "PRAIRIE"  
BOLLARD**



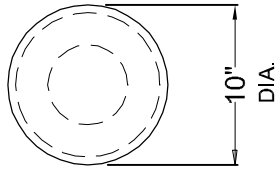
P.O. Box 413005 Naples, FL 34101 5805 Glencove Drive # 705  
 Naples, FL 34108  
 Tel 239.514.3272 Fax 239.594.7778  
[www.Stonelight.com](http://www.Stonelight.com) [sales@stonelight.com](mailto:sales@stonelight.com)



**"PRINCETON"  
BOLLARD**

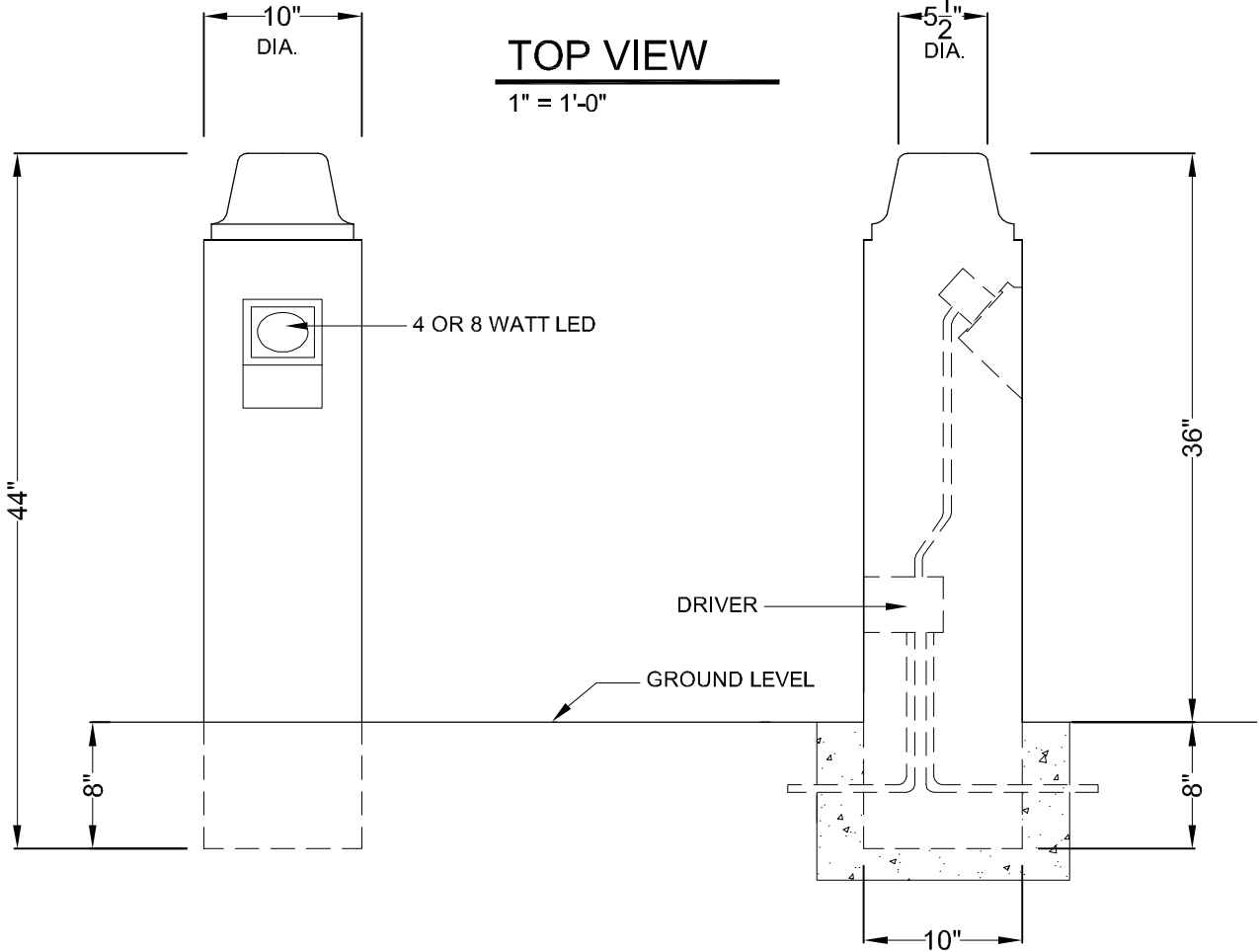


P.O. Box 413005 Naples, FL 34101 5805 Glencove Drive # 705  
 Naples, FL 34108  
 Tel 239.514.3272 Fax 239.594.7778  
[www.Stonelight.com](http://www.Stonelight.com) [sales@stonelight.com](mailto:sales@stonelight.com)



**TOP VIEW**

1" = 1'-0"



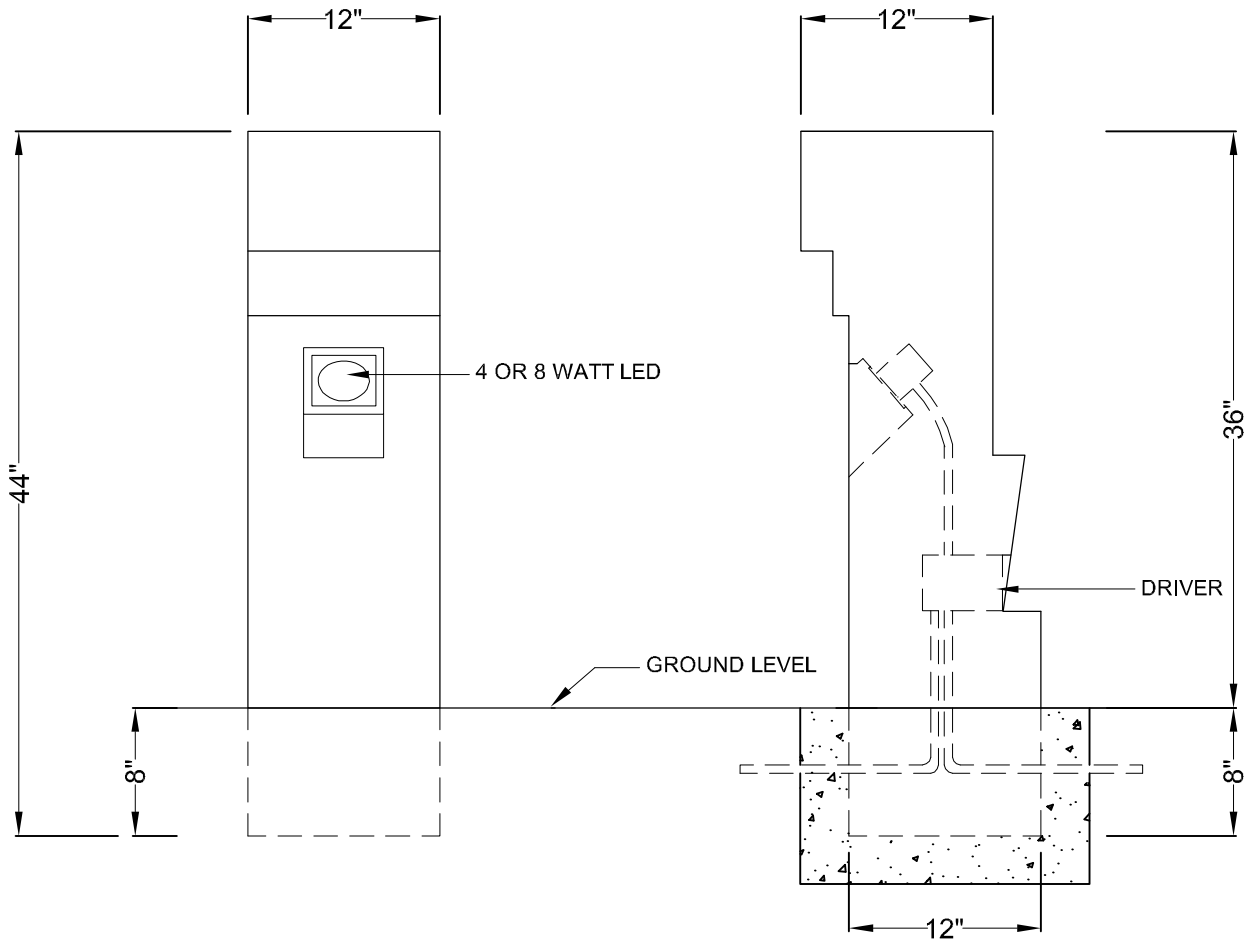
**1 FRONT ELEVATION**  
1" = 1'-0"

**2 SECTION**  
1" = 1'-0"

**"RONDA"  
BOLLARD**



P.O. Box 413005 Naples, FL 34101 5805 Glencove Drive # 705  
Naples, FL 34108  
Tel 239.514.3272 Fax 239.594.7778  
[www.Stonelight.com](http://www.Stonelight.com) [sales@stonelight.com](mailto:sales@stonelight.com)



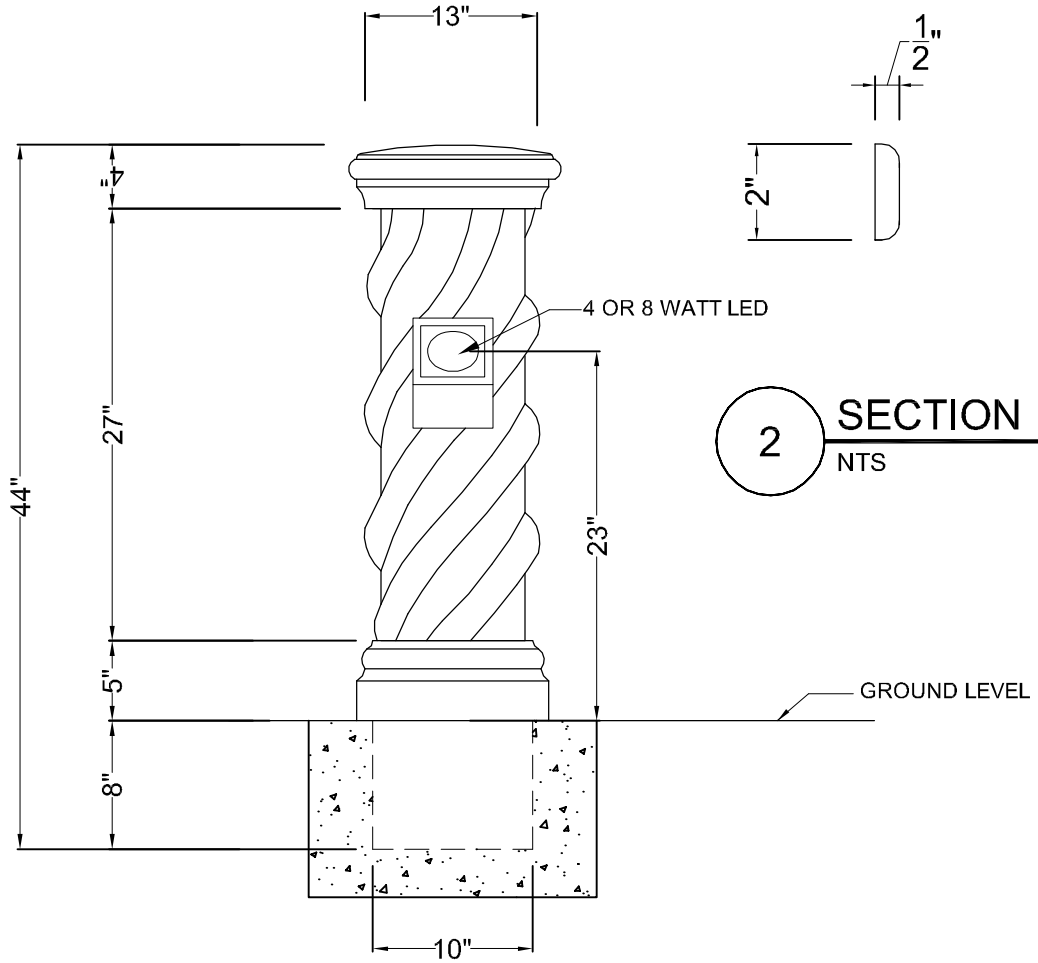
1 ELEVATION  
1" = 1'-0"

2 SECTION  
1" = 1'-0"

**"SANTA FE"  
BOLLARD**



P.O. Box 413005 Naples, FL 34101 5805 Glencove Drive # 705  
 Naples, FL 34108  
 Tel 239.514.3272 Fax 239.594.7778  
[www.Stonelight.com](http://www.Stonelight.com) [sales@stonelight.com](mailto:sales@stonelight.com)



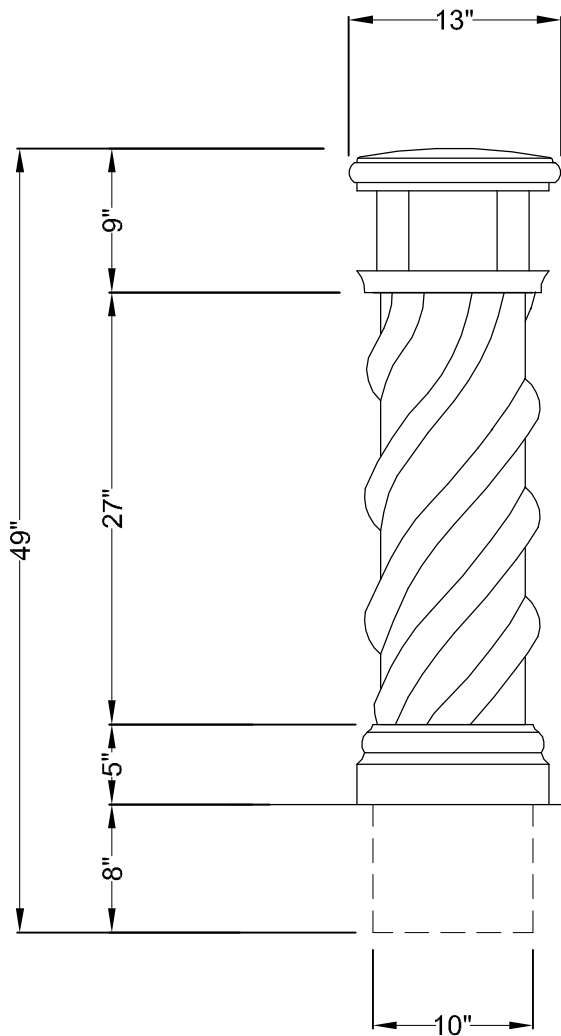
1 ELEVATION  
1" = 1'-0"

2 SECTION  
NTS

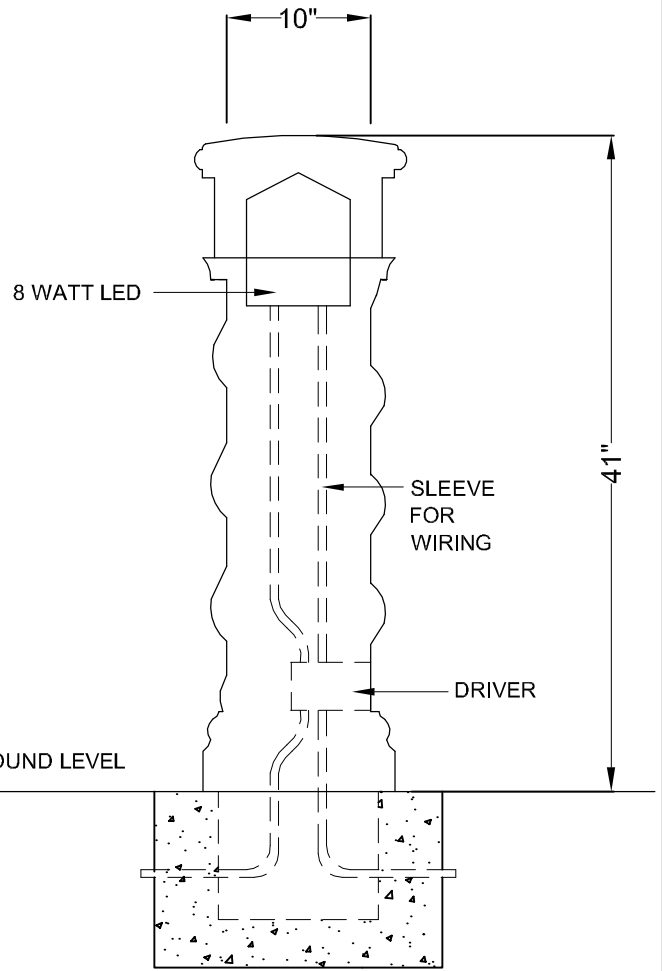
**"SPIRAL"  
BOLLARD**



P.O. Box 413005 Naples, FL 34101 5805 Glencove Drive # 705  
Naples, FL 34108  
Tel 239.514.3272 Fax 239.594.7778  
[www.Stonelight.com](http://www.Stonelight.com) [sales@stonelight.com](mailto:sales@stonelight.com)



1 ELEVATION  
1" = 1'-0"

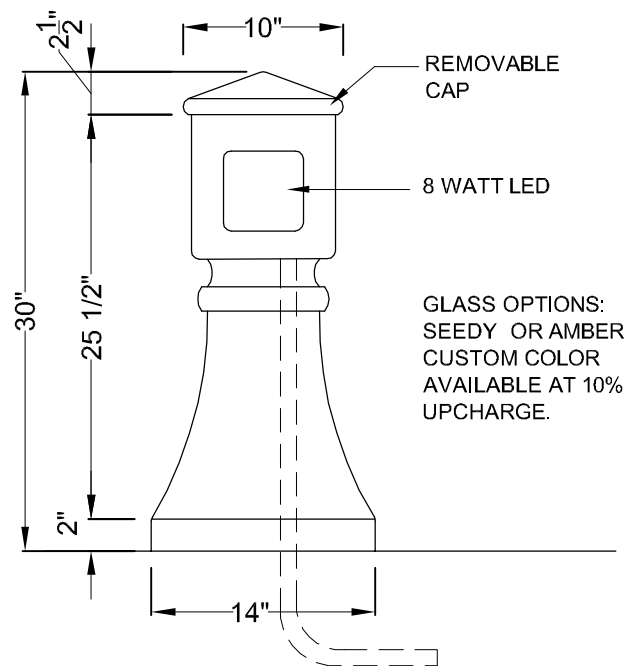


2 SECTION  
1" = 1'-0"

**"SPIRAL" OPEN  
BOLLARD**



P.O. Box 413005 Naples, FL 34101 5805 Glencove Drive # 705  
Naples, FL 34108  
Tel 239.514.3272 Fax 239.594.7778  
[www.Stonelight.com](http://www.Stonelight.com) [sales@stonelight.com](mailto:sales@stonelight.com)



1 ELEVATION  
1" = 1'-0"

**"VISCAYA"  
BOLLARD**



P.O. Box 413005 Naples, FL 34101 5805 Glencove Drive # 705  
Naples, FL 34108  
Tel 239.514.3272 Fax 239.594.7778  
[www.Stonelight.com](http://www.Stonelight.com) [sales@stonelight.com](mailto:sales@stonelight.com)